



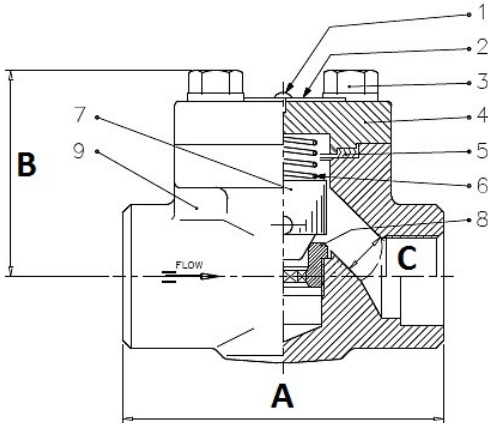
# CVB VALVES S.R.L.

Via dell'Industria, 24 – 20020 Arconate (MI) - Italy  
 Tel: (+39).0331.461737 Fax: (+39).0331.539175  
 www.cvbvalves.com E-mail: info@cvbvalves.com

## FORGED PISTON/BALL CHECK

### 800 SW/NPT

CVB-FPC-002



#### BASIC DESIGN STANDARDS

Basic Design ISO 15761/BS5352

Wall Thickness / Pressure / Temperature According to ANSI B16.34

Ends Dimensions SW ANSI B16.11

Bore Reduced & Full

#### BILL OF MATERIALS STANDARD ACCORDING TO ASTM

Carbon Steel			
No	Part Name	A105/F6 HF	
01	Rivet	Carbon Steel	
02	Name Plate	Aluminium	
03	Bolts B/C	A193 B7	
04	Spring	A479 TP316	
05	Cover	ASTM A105N	
06	*Gasket B/C	F316 + Graphoil	
07	Piston	A479 TP410 + ST.6	
08	Seat	A479 TP410 + ST.6	
09	Body	ASTM A105N	

150# SIZE		DIMENSION in mm				
Inches	mm	Ff	Ha		Pf	Kg
1/2"	15	80	49		10	1.1
3/4"	20	90	55		14	1.8
1"	25	110	70		18	2.6
1-1/2"	40	130	105		29.5	5.5
2"	50	150	120		36.5	8.4

FORGED STEEL PISTON CHECK VALVES CLASS 800