



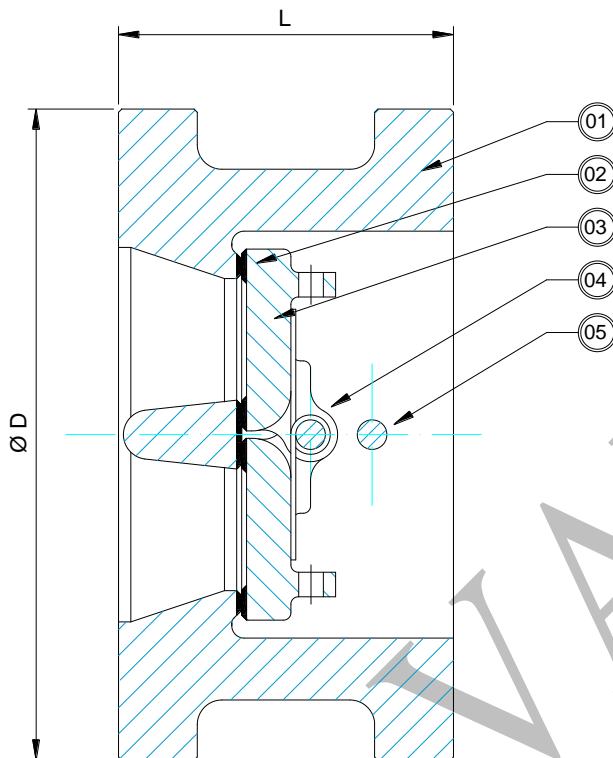
CVB VALVES S.R.L.

Via dell'Industria, 24 – 20020 Arconate (MI) - Italy
 Tel: (+39).0331.461737 C.F. e P.IVA:08735550967
 www.cvbvalves.com E-mail: info@cvbvalves.com

CAST STEEL DUAL PLATE CHECK VALVES

150 – 300 – 600 Lbs

CVB-DPV-001



BASIC DESIGN STANDARDS

Basic Design API 594 / ANSI B16.34
Face to Face Dimension API 594
Flanges Up to 24" ANSI B16.5
 From 26" MSS SP44
ANSI B16.47 API 605
Testing API 598

STANDARD DESCRIPTION

- Flow direction is stamped on body
- Wafer Type
- Suitable for mounting between flanges
- Lifting Eyebolt from 30 Kg and heavier
- Special features according to Customer's requirement
- Suitable for vertical & horizontal installation

TEST PRESSURE TO API 598 Psi/bar

Shell (water)	Seat (water)	Seat (air)
430 / 30	315 / 22	80 / 5,5

* Recommended Spare Parts

		TRIM NUMBER AS PER API 600								
No	Part Name	1	2	8	5	9	10	12	16	
02	Body sealing			STL Gr.6	STL Gr.6	MONEL	316	STL Gr.6	STL Gr.6	
02	Plate sealing	410	304	410	STL Gr.6					STL Gr.6
05	Stop Pin									316
06	Pin			410	410					316

BILL OF MATERIALS STANDARD ACCORDING TO ASTM

No	Part Name	Carbon Steel		Alloy Steel		Stainless Steel			
		WCB	LCB	WC6	C5	CF8	CF8M	CF3	CF3M
01	Body	A216 WCB	A352LCB	A217WC6	A217 C5	A351 CF8	A351 CF8M	A351 CF3	A351 CF3M
03	Plates	A216 WCB	A352 LCB	A217 WC6	A217 C5	A351 CF8	A351 CF8M	A351 CF3	A351 CF3M
04 (*)	Spring	INCONEL X750				INCONEL X750 or Stainless Steel			
07 (*)	Plug Gasket	Stainless steel + Graphite							
08	Plug	Carbon steel		Alloy steel		Stainless steel			



CVB VALVES S.R.L.

Via dell'Industria, 24 – 20020 Arconate (MI) - Italy
 Tel: (+39).0331.461737 C.F. e P.IVA:08735550967
 www.cvbvalves.com E-mail: info@cvbvalves.com

CAST STEEL DUAL PLATE CHECK VALVES

150 – 300 – 600 Lbs

SIZE		150 Lbs			300 Lbs			600 Lbs		
Inches	mm	L (RF)	Ø D	Kg	L (RF)	Ø D	Kg	L (RF)	Ø D	Kg
2"	50	60	104	2,0	60	111	3,0	60	111	4,0
2-1/2"	65	67	123	3,2	67	130	4,0	67	130	5,0
3"	80	73	136	4,0	73	149	6,0	73	149	8,0
4"	100	73	174	7,0	73	181	8,5	79	194	11
6"	150	98	222	15	98	251	17	136	267	30
8"	200	127	279	23	127	308	32	165	321	50
10"	250	146	340	39	146	362	52	213	430	85
12"	300	181	410	54	181	423	82	229	457	135
14"	350	184	451	80	222	486	122	273	492	220
16"	400	191	515	117	232	539	185	305	565	360
18"	450	203	550	140	264	596	200	362	613	395
20"	500	219	603	165	292	654	265	368	683	515
24"	600	222	717	340	318	775	400	438	790	830

CAST STEEL DUAL PLATE CHECK VALVES 150# - 300# 600#